

ELECTRICAL SPECIFICATIONS:

- | | | | |
|-----|---------------------------|------------------------------|--|
| 1.0 | Turns Ratio: | (P8-P6-P7) : (J3-J6) | : 1CT : 1CT ± 3% |
| | | (P4-P5-P3) : (J1-J2) | : 1CT : 1CT ± 3% |
| 2.0 | Inductance: | (P8-P7) | : 350uH MIN. @ 0.1V, 100KHz, 8mA DC Bias |
| | | (P3-P4) | : 350uH MIN. @ 0.1V, 100KHz, 8mA DC Bias |
| 3.0 | Leakage Inductance: | P8-P7 (WITH J6 AND J3 SHORT) | : 0.3uH MAX. @ 1MHz |
| | | P3-P4 (WITH J2 AND J1 SHORT) | : 0.3uH MAX. @ 1MHz |
| 4.0 | Interwinding Capacitance: | (P8,P6,P7) TO (J6,J3) | : 25pf TYP @ 1MHz |
| | | (P3,P5,P4) TO (J2,J1) | : 25pf TYP @ 1MHz |
| 5.0 | DC Resistance: | (J6-J3)=(J2-J1) | : 1.4 ohms Max. |

NOTE
1.0 P
CON
2.0 A
TOL

Bel Stewart C
11118 Susquehanna
Glen Rock, Pa 1732
717.234.7512

THIS DRAWING AND THE SUBJECT MATTER SHOWN THEREON ARE CONFIDENTIAL AND PROPERTY OF BEL STEWART CONNECTOR AND SHALL NOT BE REPRODUCED, COPIED, OR USED IN ANY MANNER WITHOUT PRIOR WRITTEN CONTENT OF BEL STEWART CONNECTOR. THE SUBJECT MATTER MAY BE PATENTED OR A PATENT MAY BE PENDING.

RECEIVE

6.0 RETURN LOSS: (P8-P7)=100 OHMS AND (P3-P4)=100 OHM REF.
1MHz TO 30MHz : -18dB MIN.
30MHz TO 60MHz : -(19-20 LOG (f/30MHz))
60MHz TO 80MHz : -12dB MIN.

NOTE: 100 OHMS CONNECTED TO (J2-J1) OR (J6-J3).

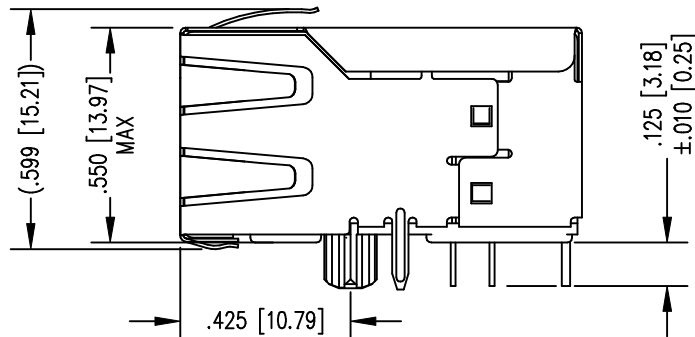
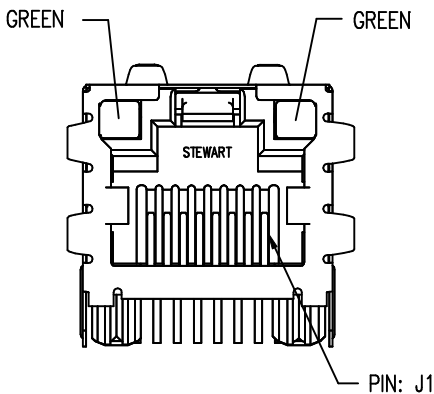
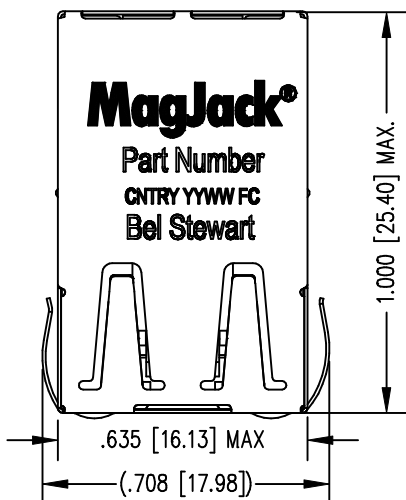
7.0 DIELECTRIC WITHSTAND: (J1, J2) TO (P3, P4) : 1500 VAC
(J3, J6) TO (P8, P7) : 1500 VAC

8.0 INSERTION LOSS: RS=RL=100 ohms
1-65MHz : -1.1 dB MAX

9.0 RISE TIME: RS=100 OHMS AND RL = 100 OHMS
OUTPUT VOLTAGE = 1 V peak : 3.0 nS MAX
PULSE WIDTH= 112nS : 3.0 nS MAX

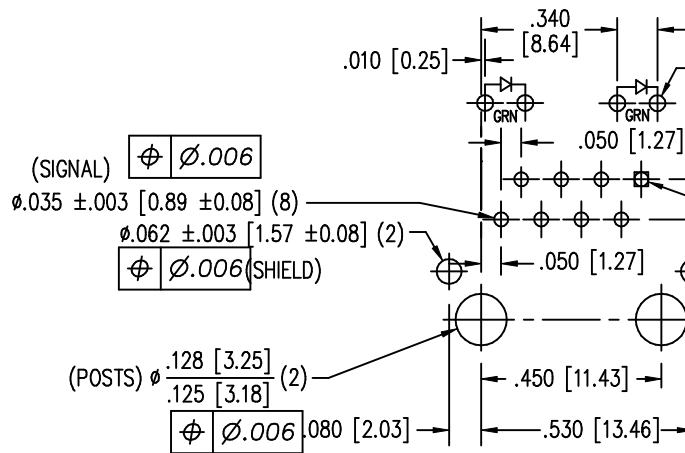
10.0 CROSS TALK: 1-65MHz : -35 dB MIN

11.0 COMMON TO COMMON MODE ATTENUATION: 30MHz TO 100MHz : -30dB MAX
100MHz TO 130MHz : -20dB MAX



LED SPECIFICATION				
STANDARD LED	WAVELENGTH	* Forward V (MAX)	(TYP)	
GREEN	565 nm	2.5 V	2.1 V	

*WITH A FORWARD CURRENT OF 20 mA



P.C.B. RECOMMENDED HOLE L
SEEN FROM COMPONENT S

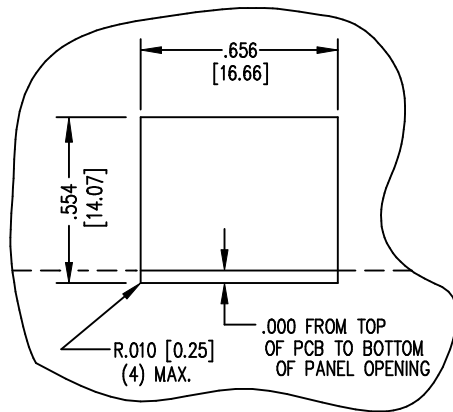
ALL CENTERLINE DIMENSIONS A

NOTES:

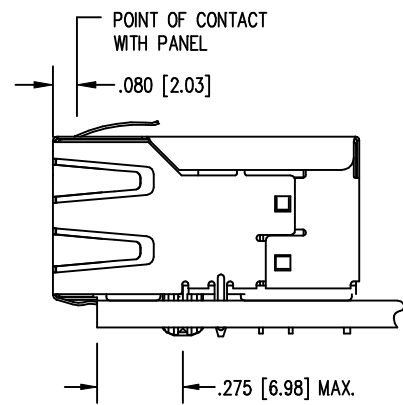
1. CONNECTOR MATERIALS:
HOUSING: THERMOPLASTIC
CONTACT/SHIELD: COPPER
SHIELD PLATING: NICKEL
CONTACT PLATING: GOLD
2. PIN NOT ELECTRICAL
SEE ELECTRICAL DRAWING
3. TOLERANCES COMPLIANT WITH ASME Y14.5
4. THE SUGGESTED PANEL MOUNTING HOLE CLEARANCES, YET MAINTAINING THE CLEARANCE TO THE HOUSING.
5. WAVE SOLDER COMPATIBLE FOR HIGH TEMPERATURE

THIS DRAWING AND THE SUBJECT MATTER SHOWN THEREON ARE CONFIDENTIAL AND PROPERTY OF BEL STEWART CONNECTOR AND SHALL NOT BE REPRODUCED, COPIED, OR USED IN ANY MANNER WITHOUT PRIOR WRITTEN CONTENT OF BEL STEWART CONNECTOR. THE SUBJECT MATTER MAY BE PATENTED OR A PATENT MAY BE PENDING.

Bel Stewart
11116 Susquehanna
Glen Rock, Pa 17320
717.234.7512



SUGGESTED PANEL OPENING



Bel Stewart
 11116 Susquehanna
 Glen Rock, Pa 17322
 717.234.7512

THIS DRAWING AND THE SUBJECT MATTER SHOWN THEREON ARE CONFIDENTIAL AND PROPERTY OF BEL STEWART CONNECTOR AND SHALL NOT BE REPRODUCED, COPIED, OR USED IN ANY MANNER WITHOUT PRIOR WRITTEN CONTENT OF BEL STEWART CONNECTOR. THE SUBJECT MATTER MAY BE PATENTED OR A PATENT MAY BE PENDING.

SHEET
 4 OF 4